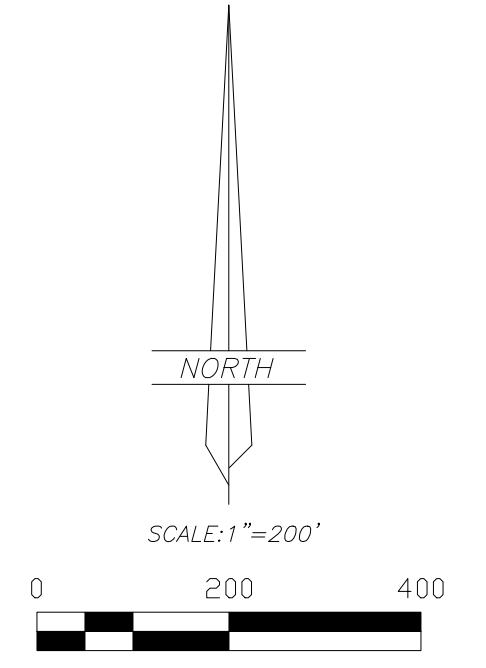


RECORD OF SURVEY FOR
MARICELA ROMERO

SECTION 21, TOWNSHIP 3 SOUTH, RANGE 4 WEST
UINTAH SPECIAL BASE AND MERIDIAN
DUCHEсне COUNTY, UTAH

- LEGEND**
- FOUND OR SET SECTION CORNER AS NOTED ON PLAT
 - FOUND OR SET QUARTER CORNER AS NOTED ON PLAT
 - ◇ FOUND OR SET 1/16 CORNER AS NOTED ON PLAT
 - FOUND MONUMENT SET BY OTHERS
 - SET 5/8"x24" REBAR WITH PLASTIC CAP STAMPED "ALLRED SURVEYING"
 - ▼ 8" SPIKES WITH "WHISKERS" SET ON LINE
 - FENCE CORNER
 - × EXISTING FENCE
 - MAG SPIKE AND WASHER



BASIS OF BEARINGS

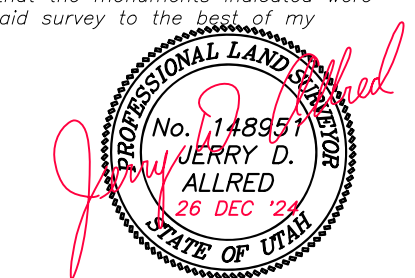
This survey was performed using G.P.S. (Global Positioning System) equipment and procedures. The basis of bearings for this survey is a bearing of North 89°09'02" East from the Northwest Section Corner to the North Quarter Corner of Section 16, derived from G.P.S. observations using the Utah State G.P.S. virtual reference station control network maintained and operated by the Utah Geospatial Resource center.

NARRATIVE

This survey was performed at the request of Maricela Romero for the purpose of marking the corners and lines of the parcel of land shown on this plat. A search was made to locate the monuments marking the Public Land Survey System corners as well as corners of the several described parcels in the vicinity of the shown parcel and the results are shown by each corner. These corners were used to control the survey.

SURVEYOR'S CERTIFICATE

I, Jerry D. Allred, do hereby certify that I am a Professional Land Surveyor, and that I hold certificate no. 148951 as prescribed by the laws of the State of Utah; I further certify that this plat and its computations were prepared from the field notes and electronic data collector files of an actual survey made by me, or under my personal supervision, of the parcels of land shown hereon, and that the monuments indicated were found or set during said survey, and that this plat accurately represents said survey to the best of my knowledge.



JERRY D. ALLRED, PROFESSIONAL LAND SURVEYOR
CERTIFICATE NO. 148951 (UTAH)

SEC 21 SEC 22
SEC 20 SEC 28

COUNTY SURVEYOR FILE NO. 5834

JERRY D. ALLRED & ASSOCIATES, INC.
SURVEYING CONSULTANTS
1235 NORTH 700 EAST—P.O. BOX 975
DUCHEсне, UTAH 84021
(435) 738-5352