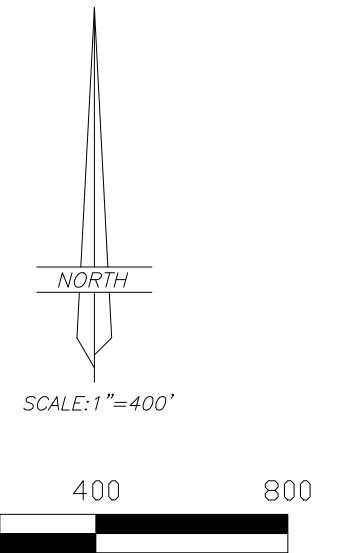
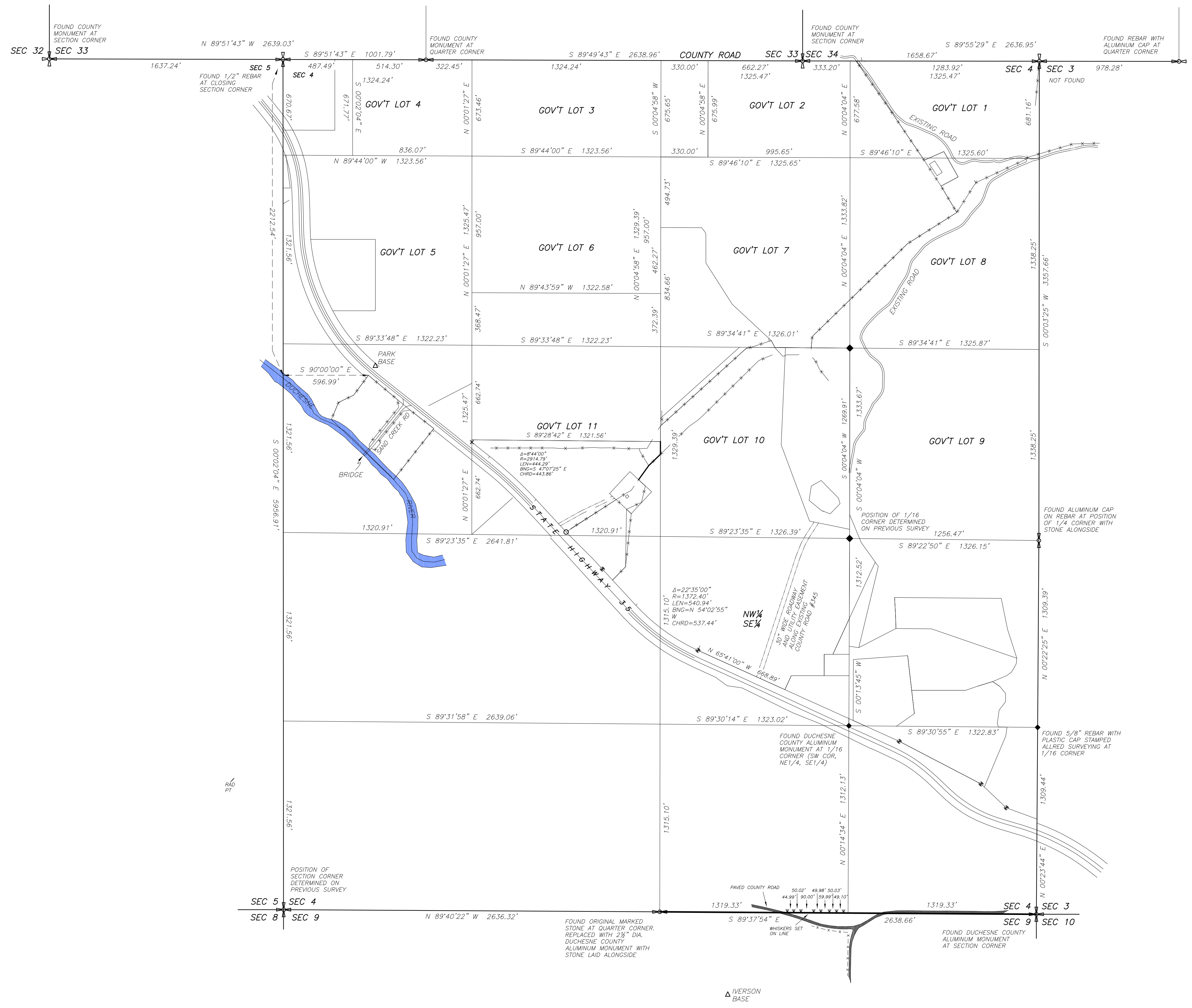


RECORD OF SURVEY FOR
RANCHO SIN VACAS LLC
 SECTION 4, TOWNSHIP 1 SOUTH, RANGE 8 WEST
 UINAH SPECIAL BASE AND MERIDIAN



LEGEND

- FOUND OR SET SECTION CORNER AS NOTED ON PLAT
- FOUND OR SET QUARTER CORNER AS NOTED ON PLAT
- FOUND OR SET 1/16 CORNER AS NOTED ON PLAT
- FOUND MONUMENT SET PREVIOUSLY OR SET BY OTHERS
- SET 5/8"x24" REBAR WITH PLASTIC CAP STAMPED "ALLRED SURVEYING"
- 8" SPIKES WITH "WHISKERS" SET ON LINE
- FENCE CORNER
- EXISTING FENCE
- MAG SPIKE AND WASHER

NARRATIVE

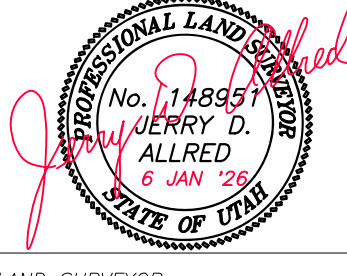
This survey was performed at the request of Carl Armnecht for the purpose of marking part of the South line of Section 4. The monuments marking the Public Land Survey System corners were found as shown and used to control the survey. The line was then marked as shown using 8" spikes with whiskers, as shown on this plat.

BASIS OF BEARINGS

THIS SURVEY WAS PERFORMED USING GLOBAL POSITIONING SYSTEM PROCEDURES AND EQUIPMENT. THE BASIS OF BEARINGS IS GEODETIC NORTH DERIVED FROM G.P.S. OBSERVATIONS AT A CONTROL POINT LOCATED AT LAT: 40°24'48.3274" N AND LONG: 110°47'28.4581" W USING THE UTAH STATE G.P.S. VIRTUAL REFERENCE STATION CONTROL NETWORK MAINTAINED AND OPERATED BY THE AUTOMATED GEOGRAPHIC REFERENCE CENTER.

SURVEYOR'S CERTIFICATE

I, Jerry D. Allred, do hereby certify that I am a Professional Land Surveyor, and that I hold certificate no. 148951 as prescribed by the laws of the State of Utah. I further certify that this plat and its computations were prepared from the field notes and electronic data collector files of an actual survey made by me, or under my personal supervision, of the parcels of land shown hereon, and that the monuments indicated were found or set during said survey, and that this plat accurately represents said survey to the best of my knowledge.



JERRY D. ALLRED, PROFESSIONAL LAND SURVEYOR
 CERTIFICATE NO. 148951 (UTAH)

COUNTY SURVEYOR'S FILE NUMBER **6030**

JERRY D. ALLRED & ASSOCIATES, INC.
 SURVEYING CONSULTANTS
 1235 NORTH 700 EAST—P.O. BOX 975
 DUCHESNE, UTAH 84021
 (435) 738-5352