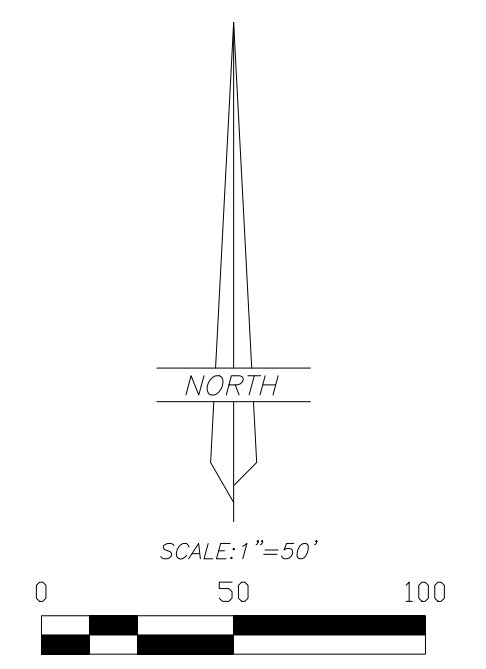


FOUND B.L.M.  
MONUMENT AT  
SECTION CORNER  
SEC 25 SEC 30  
SEC 36 SEC 31

PROPERTY SURVEY FOR  
**OBADIAH HOFF**  
LOTS 28 AND 29, BLOCK 3  
MOUNT TABBY SPRINGS SUBDIVISION  
SECTION 35, TOWNSHIP 1 SOUTH, RANGE 8 WEST  
UINTAH SPECIAL BASE AND MERIDIAN

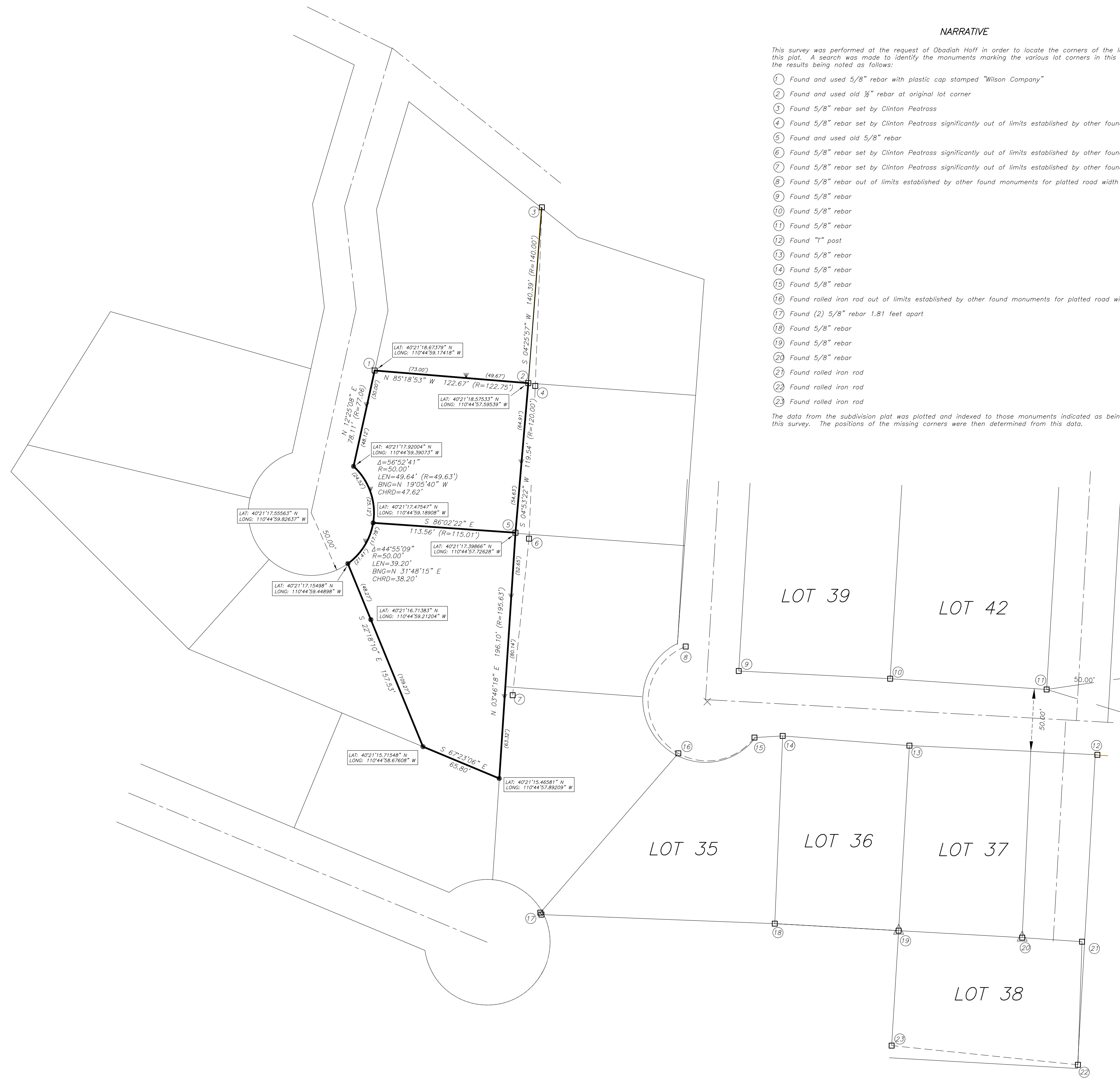


- LEGEND**
- FOUND OR SET SECTION CORNER AS NOTED ON PLAT
  - FOUND OR SET QUARTER CORNER AS NOTED ON PLAT
  - ◇ FOUND OR SET 1/16 CORNER AS NOTED ON PLAT
  - FOUND MONUMENT SET BY OTHERS
  - SET 5/8"x24" REBAR WITH PLASTIC CAP STAMPED "ALLRED SURVEYING"
  - ▼ 8" SPIKES WITH "WHISKERS" SET ON LINE
  - FENCE CORNER
  - EXISTING FENCE
  - MAG SPIKE AND WASHER

**NARRATIVE**

- This survey was performed at the request of Obadiah Hoff in order to locate the corners of the lots shown on this plat. A search was made to identify the monuments marking the various lot corners in this subdivision with the results being noted as follows:
- 1 Found and used 5/8" rebar with plastic cap stamped "Wilson Company"
  - 2 Found and used old 1/2" rebar at original lot corner
  - 3 Found 5/8" rebar set by Clinton Peatross
  - 4 Found 5/8" rebar set by Clinton Peatross significantly out of limits established by other found monuments.
  - 5 Found and used old 5/8" rebar
  - 6 Found 5/8" rebar set by Clinton Peatross significantly out of limits established by other found monuments.
  - 7 Found 5/8" rebar set by Clinton Peatross significantly out of limits established by other found monuments.
  - 8 Found 5/8" rebar out of limits established by other found monuments for plotted road width
  - 9 Found 5/8" rebar
  - 10 Found 5/8" rebar
  - 11 Found 5/8" rebar
  - 12 Found "T" post
  - 13 Found 5/8" rebar
  - 14 Found 5/8" rebar
  - 15 Found 5/8" rebar
  - 16 Found rolled iron rod out of limits established by other found monuments for plotted road width
  - 17 Found (2) 5/8" rebar 1.81 feet apart
  - 18 Found 5/8" rebar
  - 19 Found 5/8" rebar
  - 20 Found 5/8" rebar
  - 21 Found rolled iron rod
  - 22 Found rolled iron rod
  - 23 Found rolled iron rod

The data from the subdivision plat was plotted and indexed to those monuments indicated as being used to control this survey. The positions of the missing corners were then determined from this data.

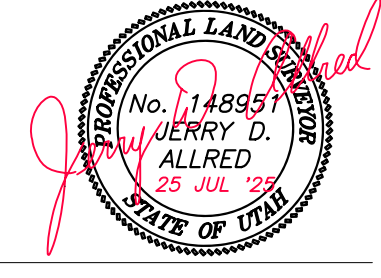


**BASIS OF BEARINGS**

This survey was performed using G.P.S. (Global Positioning System) equipment and procedures. The basis of bearings for this survey is a bearing of North 00°24'17" East from the East Quarter Corner to the Northeast Section Corner of Section 35 derived from G.P.S. observations using the Utah State G.P.S. virtual reference station control network maintained and operated by the Utah Geospatial Resource center.

**SURVEYOR'S CERTIFICATE**

I, Jerry D. Allred, do hereby certify that I am a Professional Land Surveyor, and that I hold certificate no. 148951 as prescribed by the laws of the State of Utah; I further certify that this plat and its computations were prepared from the field notes and electronic data collector files of an actual survey made by me, or under my personal supervision, of the parcels of land shown hereon, and that the monuments indicated were found or set during said survey, and that this plat accurately represents said survey to the best of my knowledge.



JERRY D. ALLRED, PROFESSIONAL LAND SURVEYOR  
CERTIFICATE NO. 148951 (UTAH)

COUNTY SURVEYOR FILE NO. 5953

**JERRY D. ALLRED & ASSOCIATES, INC.**  
SURVEYING CONSULTANTS  
1235 NORTH 700 EAST—P.O. BOX 975  
DUCHESE, UTAH 84021  
(435) 738-5352

S 0024'17" W 2653.24'

FOUND B.L.M.  
MONUMENT AT  
QUARTER CORNER