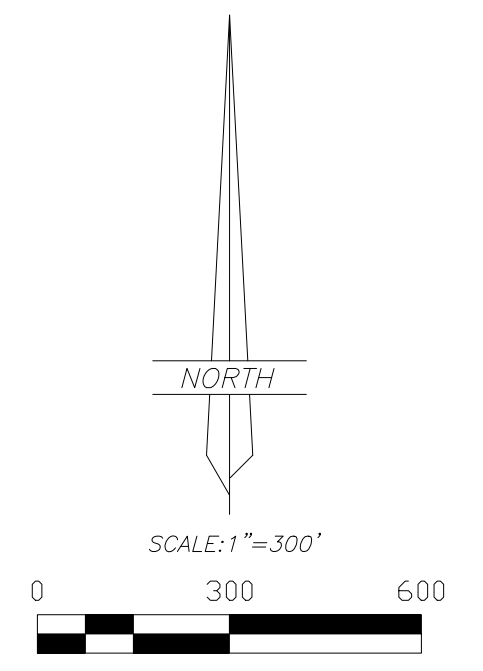


RECORD OF SURVEY
FOR
MARK SOSA
SECTION 13, TOWNSHIP 1 SOUTH, RANGE 8 WEST
UINTAH SPECIAL BASE AND MERIDIAN



- LEGEND**
- FOUND OR SET SECTION CORNER AS NOTED ON PLAT
 - ⊠ FOUND OR SET QUARTER CORNER AS NOTED ON PLAT
 - ◇ FOUND OR SET 1/16 CORNER AS NOTED ON PLAT
 - FOUND MONUMENT SET BY OTHERS
 - SET 5/8"x24" REBAR WITH PLASTIC CAP STAMPED "ALLRED SURVEY"
 - ▼ 8" SPIKES WITH "WHISKERS" SET ON LINE
 - FENCE CORNER
 - X— EXISTING FENCE
 - MAG SPIKE AND WASHER

DESCRIPTION BY SURVEY OF ENTRY NO. 538963

Commencing at the Northeast Corner of the SW¹/₄ of Section 13, Township 1 South, Range 8 West of the Uintah Special Base and Meridian;
Thence South 00°03'40" East 660.91 feet along the East line of said aliquot part to the TRUE POINT OF BEGINNING;
Thence South 00°03'40" East 660.91 feet along said East line to the Southeast Corner of said aliquot part;
Thence South 89°56'09" East 60.00 feet along the North line of the SW¹/₄ of said Section;
Thence South 44°10'16" West 684.68 feet to the centerline of the County Road;
Thence North 44°17'50" West 435.95 feet along said centerline;
Thence North 40°37'57" East 1106.93 feet to the TRUE POINT OF BEGINNING, containing 9.024 acres. Said parcel being subject to that portion being used as county road right-of-way.

DESCRIPTION BY SURVEY OF ENTRY NO. 542060

Commencing at the Northwest Corner of the SW¹/₄ of the SE¹/₄ of Section 13, Township 1 South, Range 8 West of the Uintah Special Base and Meridian;
Thence South 89°56'09" East 600.76 feet along the North line of said aliquot part to the TRUE POINT OF BEGINNING;
Thence South 89°56'09" East 600.76 feet along said North line;
Thence South 00°00'48" East 492.24 feet;
Thence South 87°50'54" West 184.14 feet;
Thence North 41°48'50" West 237.30 feet;
Thence South 33°59'33" West 116.20 feet;
Thence North 44°02'22" West 431.31 feet;
Thence North 44°10'16" East 152.31 feet to the TRUE POINT OF BEGINNING, containing 5.825 acres. Said parcel being subject to all existing rights-of-way and easements.

DESCRIPTION BY SURVEY OF COMBINED PARCEL

Commencing at the Northeast Corner of the SW¹/₄ of Section 13, Township 1 South, Range 8 West of the Uintah Special Base and Meridian;
Thence South 00°03'40" East 660.91 feet along the East line of said aliquot part to the TRUE POINT OF BEGINNING;
Thence South 00°03'40" East 660.91 feet along said East line to the Southeast Corner of said aliquot part;
Thence South 89°56'09" East 60.00 feet along the North line of the SW¹/₄ of the SE¹/₄ of said Section;
Thence South 00°00'48" East 492.24 feet;
Thence South 87°50'54" West 184.14 feet;
Thence North 41°48'50" West 237.30 feet;
Thence South 33°59'33" West 116.20 feet;
Thence North 44°02'22" West 431.31 feet;
Thence South 44°10'16" West 532.37 feet to the centerline of the county road;
Thence North 44°17'50" West 435.95 feet along said centerline;
Thence North 40°37'57" East 1106.93 feet to the TRUE POINT OF BEGINNING, containing 14.849 acres. Said parcel being subject to those portions being used as rights-of-way and easements.

NARRATIVE AND NOTES

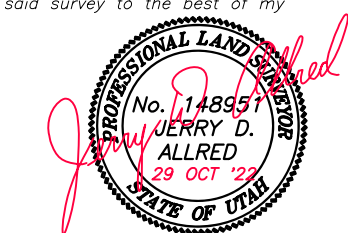
This survey was performed at the request of Mark Sosa for the purpose of marking the boundaries of his property. A search was made for the monuments marking the Public Land Survey System corners and the results are noted on this plat. These monuments were used to control the survey. The data shown on the deeds of the parcels involved was plotted and then related to the basis of bearings of this survey in order to determine the position of the parcel lines. Several monuments set during previous surveys were found at various corners and used if their positions were within a few tenths of a foot.

BASIS OF BEARINGS

THIS SURVEY WAS PERFORMED BY USING G.P.S. (GLOBAL POSITIONING SYSTEM) EQUIPMENT AND PROCEDURES. THE BASIS OF BEARINGS FOR THIS SURVEY IS A BEARING OF N 00°02'20" W FROM THE SOUTHWEST SECTION CORNER TO THE WEST QUARTER CORNER OF SECTION 13 DERIVED FROM G.P.S. OBSERVATIONS USING THE UTAH STATE G.P.S. VIRTUAL REFERENCE STATION CONTROL NETWORK MAINTAINED AND OPERATED BY THE AUTOMATED GEOGRAPHIC REFERENCE CENTER.

SURVEYOR'S CERTIFICATE

I, Jerry D. Allred, do hereby certify that I am a Professional Land Surveyor, and that I hold certificate no. 148951 as prescribed by the laws of the State of Utah; I further certify that this plat and its computations were prepared from the field notes and electronic data collector files of an actual survey made by me, or under my personal supervision, of the parcels of land shown hereon, and that the monuments indicated were found or set during said survey, and that this plat accurately represents said survey to the best of my knowledge.



JERRY D. ALLRED, PROFESSIONAL LAND SURVEYOR
CERTIFICATE NO. 148951 (UTAH)

COUNTY SURVEYOR FILE NO. 5307

JERRY D. ALLRED & ASSOCIATES, INC.
SURVEYING CONSULTANTS
1235 NORTH 700 EAST—P.O. BOX 975
Duchesne, Utah 84021
(435) 738-5352

