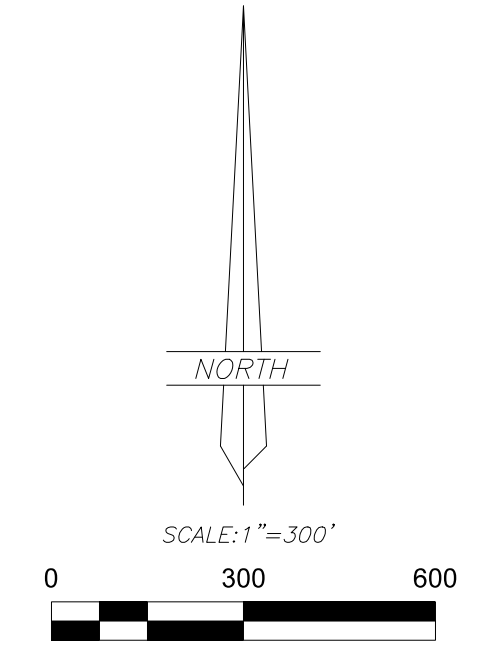


RECORD OF SURVEY FOR
SUSAN DELGADO
LOT 4, SUNDANCE WEST-UNIT C
 SECTION 15, TOWNSHIP 2 SOUTH, RANGE 4 WEST
 UINTAH SPECIAL BASE AND MERIDIAN
 DUCHESNE COUNTY, UTAH



- LEGEND**
- FOUND OR SET SECTION CORNER AS NOTED ON PLAT
 - FOUND OR SET QUARTER CORNER AS NOTED ON PLAT
 - ◇ FOUND OR SET 1/16 CORNER AS NOTED ON PLAT
 - FOUND MONUMENT SET BY OTHERS
 - SET 5/8"x24" REBAR WITH PLASTIC CAP STAMPED "ALLRED SURVEY"
 - ▼ 8" SPIKES WITH "WHISKERS" SET ON LINE
 - FENCE CORNER
 - X — EXISTING FENCE
 - MAG SPIKE AND WASHER

BASIS OF BEARINGS

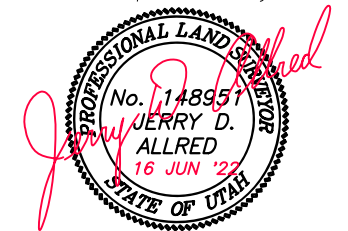
THIS SURVEY WAS PERFORMED USING GLOBAL POSITIONING SYSTEM (G.P.S.) EQUIPMENT AND PROCEDURES USING THE UTAH G.P.S. VIRTUAL REFERENCE STATION CONTROL NETWORK MAINTAINED AND OPERATED BY THE UTAH GEOSPATIAL RESOURCE CENTER. THE BASIS OF BEARINGS IS GEODETIC NORTH DERIVED FROM G.P.S. OBSERVATIONS AT USGS STATION "KUNZ" LOCATED AT LAT. 40°18'07.55222" N AND LONG. 110°21'34.08889" W USING SAID CONTROL NETWORK.

NARRATIVE

This survey was performed at the request of Susan Delgado for the purpose of locating on the ground the corners and boundary lines of Lot 4, SUNDANCE WEST-UNIT C. The data from the original subdivision plat was plotted and related to the basis of bearings of this survey. A search was made for the monuments marking the Public Land Survey System corners. The results of the search are noted on the plat. The plotted data from the subdivision plat was overlaid on the the P.L.S. data to determine the position of the lot corners. Several original lot corner monuments were found at or very near the calculated position and were used as part of this survey.

SURVEYOR'S CERTIFICATE

I, Jerry D. Allred, do hereby certify that I am a Professional Land Surveyor, and that I hold certificate no. 148951 as prescribed by the laws of the State of Utah. I further certify that this plat and its computations were prepared from the field notes and electronic data collector files of an actual survey made by me, or under my personal supervision, of the parcels of land shown hereon, and that the monuments indicated were found or set during said survey, and that this plat accurately represents said survey to the best of my knowledge.



JERRY D. ALLRED, PROFESSIONAL LAND SURVEYOR
 CERTIFICATE NO. 148951 (UTAH)

COUNTY SURVEYOR FILE NO. 5205
JERRY D. ALLRED & ASSOCIATES, INC.
 SURVEYING CONSULTANTS
 1235 NORTH 700 EAST—P.O. BOX 975
 DUCHESNE, UTAH 84021
 (435) 738-5352

