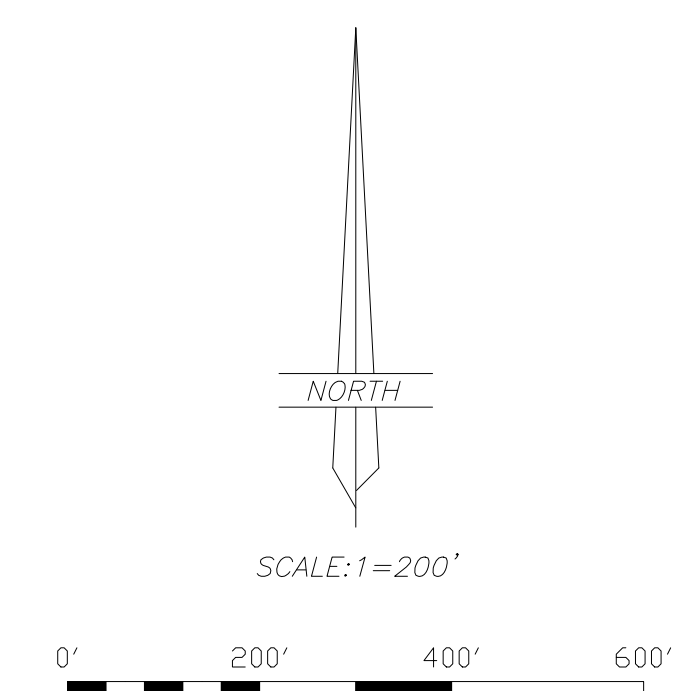


BOUNDARY SURVEY FOR
CONWAY GEERTSON AND JIM BROWN
 LOTS 23A, 23B, AND 22 OF EQUESTRIAN ESTATES SUBDIVISION
 SECTION 16, TOWNSHIP 2 SOUTH, RANGE 3 WEST
 UTAH SPECIAL BASE AND MERIDIAN
 DUCHESNE COUNTY, UTAH



LEGEND AND NOTES

- △ 1/2" REBAR SET DURING ORIGINAL SUBDIVISION SURVEY, FOUND AND TIED IN BY THIS SURVEY
- ◇ 5/8" REBAR WITH CAP SET BY HORROCKS ENGINEERS
- ◇ 5/8" REBAR WITH CAP SET BY JONES AND DEMILLE ENGINEERING
- 5/8"x24" REBAR WITH CAP STAMPED ALLRED SURVEYING SET BY THIS SURVEY.
- EXISTING FENCE

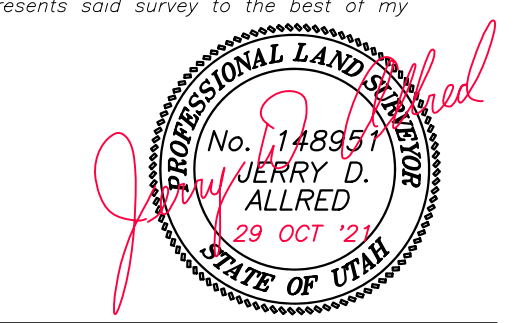
THIS SURVEY WAS PERFORMED BY USING G.P.S. (GLOBAL POSITIONING SYSTEM) EQUIPMENT AND PROCEDURES. THE BASIS OF BEARINGS FOR THIS SURVEY IS A BEARING OF N 00°09'06" W FROM THE SOUTHWEST SECTION CORNER TO THE WEST 1/4 CORNER BETWEEN SECTIONS 16 AND 17 DERIVED FROM G.P.S. OBSERVATIONS USING THE UTAH STATE G.P.S. VIRTUAL REFERENCE STATION CONTROL NETWORK MAINTAINED AND OPERATED BY THE AUTOMATED GEOGRAPHIC REFERENCE CENTER.

NARRATIVE

THIS SURVEY WAS PERFORMED AT THE REQUEST OF CONWAY GEERTSON AND JIM BROWN FOR THE PURPOSE OF LOCATING AND MARKING ON THE GROUND THE CORNERS OF LOTS 23A, 23B AND 22 OF EQUESTRIAN ESTATES SUBDIVISION. USING THE ORIGINAL SUBDIVISION PLAT A SEARCH WAS MADE TO FIND ANY MONUMENTS MARKING THOSE LOT CORNERS NEEDED TO CONTROL THIS SURVEY. SEVERAL MONUMENTS WERE FOUND AS NOTED ON THE PLAT. THIS SURVEY USED THE FOUND MONUMENTS TO DETERMINE THE POSITION OF THOSE MISSING AND TO FLAG THE LINES CONNECTING THE CORNERS.

SURVEYOR'S CERTIFICATE

I, Jerry D. Allred, do hereby certify that I am a Professional Land Surveyor, and that I hold certificate no. 148951 as prescribed by the laws of the State of Utah. I further certify that this plat and its computations were prepared from the field notes and electronic data collector files of an actual survey made by me, or under my personal supervision, of the parcels of land shown hereon, and that the monuments indicated were found or set during said survey, and that this plat accurately represents said survey to the best of my knowledge.



Jerry D. Allred, Professional Land Surveyor
 Utah Certificate Number 148951

SEC 17 SEC 16
 SEC 20 SEC 21
 FOUND DUCHESNE COUNTY ALUMINUM MONUMENT AT SECTION CORNER

COUNTY SURVEYOR FILE NO. 4970

JERRY D. ALLRED & ASSOCIATES, INC.
 SURVEYING CONSULTANTS

1235 NORTH 700 EAST—P.O. BOX 975
 DUCHESNE, UTAH 84021
 (435) 738-5352