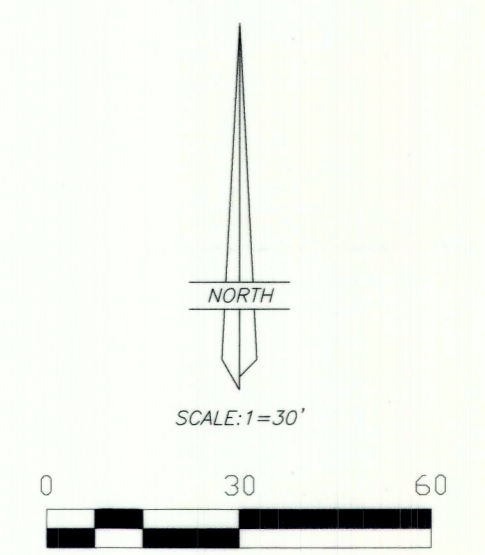


4483

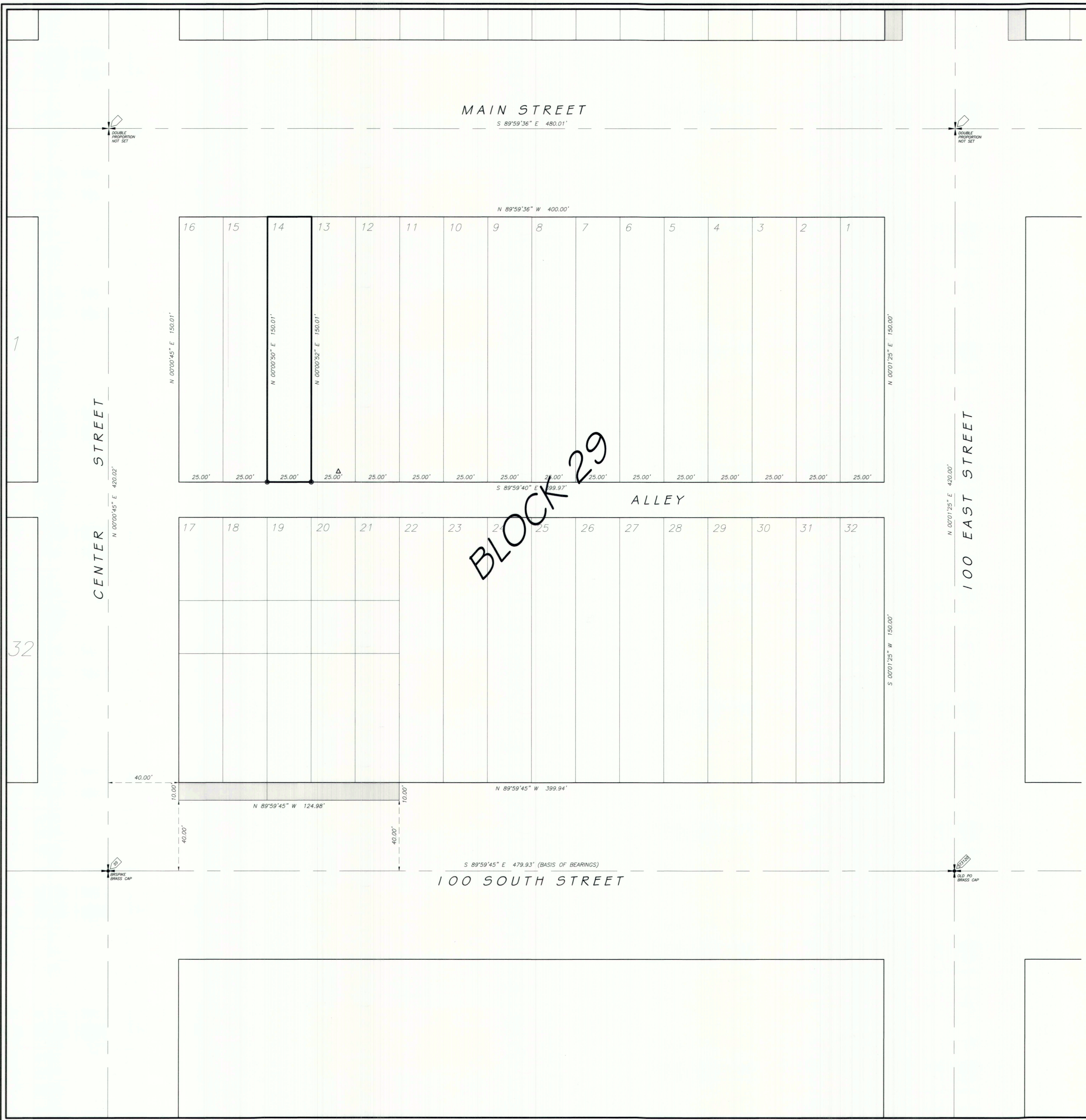
SAVO PRODUCTIONS • NEW HOPE, MINNESOTA
RECORDED BY PART NUMBER 8851

RECORD OF SURVEY FOR
KEVIN DAVIS
BLOCK 29, DUCHESNE TOWNSITE SURVEY
DUCHESNE CITY



- LEGEND AND NOTES**
- FOUND EXISTING STREET CENTERLINE MONUMENTS
 - SET 5/8" X 24" REBAR WITH PLASTIC CAP STAMPED ALLRED SURVEYING
 - AREAS OF STREETS AND ALLEYS WHICH HAVE BEEN VACATED BY DUCHESNE CITY
 - CITY CENTERLINE CONTROL POINT NUMBER

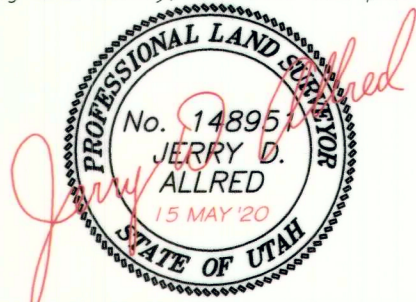
NARRATIVE
This survey was performed at the request of Kevin Davis for the purpose of marking on the ground the property corners as indicated on this plat. The centerline monuments comprising the Duchesne City control system were found and used as shown.
THIS SURVEY WAS PERFORMED BY USING G.P.S. (GLOBAL POSITIONING SYSTEM) EQUIPMENT AND PROCEDURES.



BLOCK 29

SURVEYOR'S CERTIFICATE

I, Jerry D. Allred, Duchesne County, Utah, do hereby certify that I am a Professional Land Surveyor and that I hold certificate number 148951 as prescribed by the State of Utah. I further certify that this plat was prepared from the field notes and electronic data collector files of an actual survey made by me or under my personal supervision, and that the monuments indicated were found or set during said survey, and that this plat accurately represents said survey to the best of my knowledge and belief.



Jerry D. Allred, Professional Land Surveyor,
Certificate 148951 (Utah)

COUNTY SURVEYOR FILE NO. **4483**
JERRY D. ALLRED & ASSOCIATES, INC.
SURVEYING CONSULTANTS
1235 NORTH 700 EAST—P.O. BOX 975
DUCHESNE, UTAH 84021
(435) 738-5352