

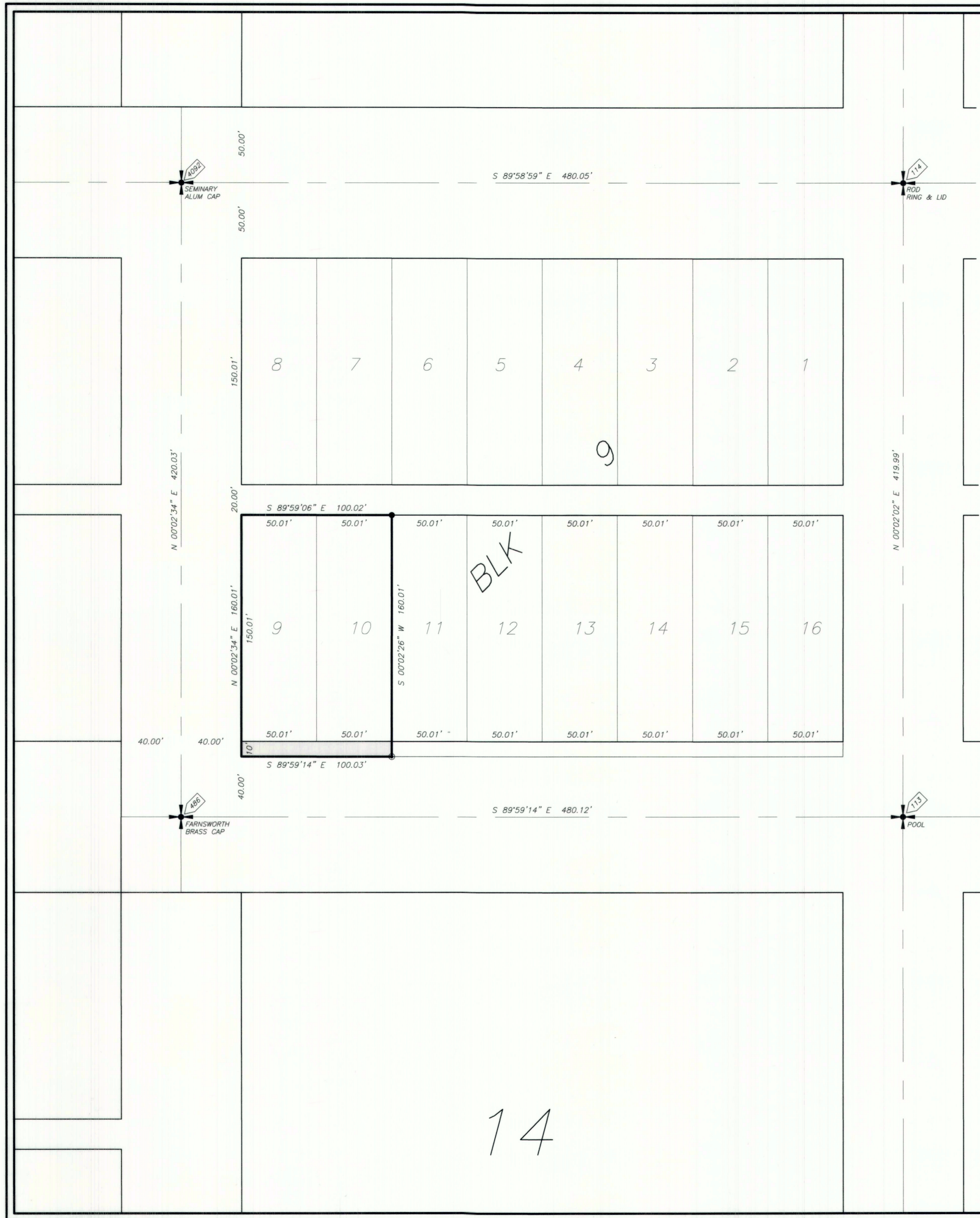
DRAWING NUMBER

4411

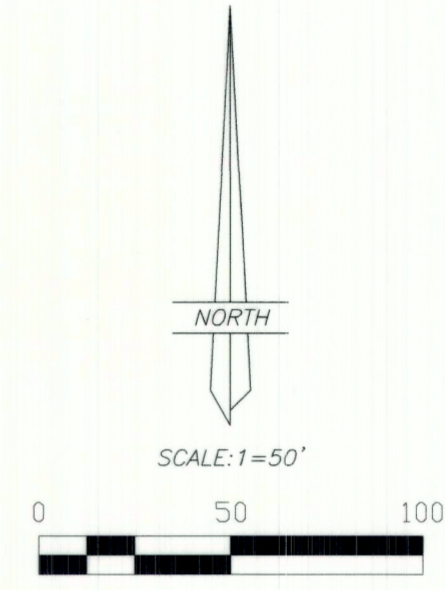
SAPO PRODUCTS • NEW HOPE, MINNESOTA
RECORDER BY PART NUMBER 6551

DRAWING NUMBER

SAPO PRODUCTS • NEW HOPE, MINNESOTA
RECORDER BY PART NUMBER 6551



RECORD OF SURVEY FOR
KEN FARNSWORTH
 LOTS 9 AND 10, BLOCK 9
 DUCHESNE TOWNSITE SURVEY
 DUCHESNE CITY, UTAH



LEGEND AND NOTES

- ✚ FOUND EXISTING STREET CENTERLINE MONUMENTS
- SET 5/8" X 24" REBAR WITH PLASTIC CAP STAMPED ALLRED SURVEYING
- ⊙ SET MAG NAIL AND BRASS WASHER
- ▭ AREAS OF STREETS AND ALLEYS WHICH HAVE BEEN VACATED BY DUCHESNE CITY

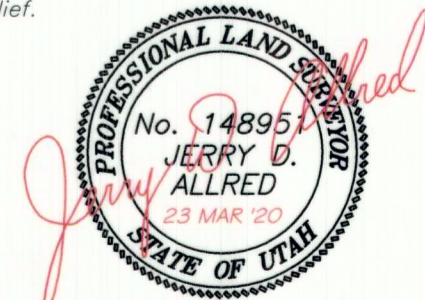
THIS SURVEY WAS PERFORMED USING GLOBAL POSITIONING SYSTEM PROCEDURES AND EQUIPMENT.
 THE BASIS OF BEARINGS IS GEODETIC NORTH DERIVED FROM G.P.S. OBSERVATIONS AT A CONTROL POINT LOCATED AT LAT. 40°10'43.26237"N AND LONG. 110°23'52.06157"W USING THE UTAH STATE G.P.S. VIRTUAL REFERENCE STATION CONTROL NETWORK MAINTAINED AND OPERATED BY THE AUTOMATED GEOGRAPHIC REFERENCE CENTER

NARRATIVE

This survey was performed at the request of Ken Farnsworth for the purpose of marking on the ground the property corners as indicated on this plat. The centerline monuments comprising the Duchesne City control system were found and used as shown.

SURVEYOR'S CERTIFICATE

I, Jerry D. Allred, Duchesne County, Utah, do hereby certify that I am a Professional Land Surveyor and that I hold certificate number 148951 as prescribed by the State of Utah. I further certify that this plat was prepared from the field notes and electronic data collector files of an actual survey made by me or under my personal supervision, and that the monuments indicated were found or set during said survey, and that this plat accurately represents said survey to the best of my knowledge and belief.



Jerry D. Allred, Professional Land Surveyor,
 Certificate 148951 (Utah)

COUNTY SURVEYOR FILE NO. **4411**

JERRY D. ALLRED & ASSOCIATES, INC.
 SURVEYING CONSULTANTS
 1235 NORTH 700 EAST--P.O. BOX 975
 DUCHESNE, UTAH 84021
 (435) 738-5352